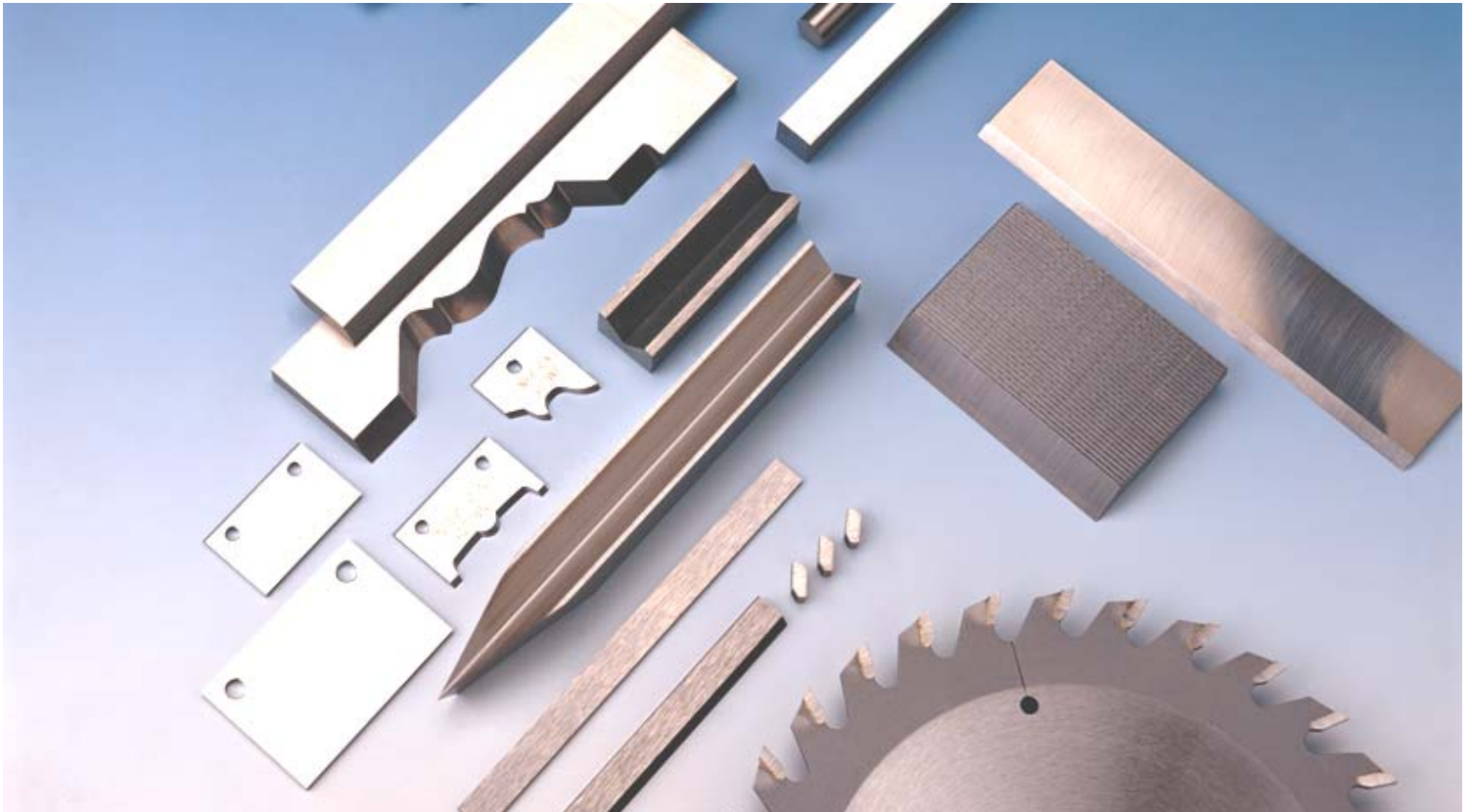


JONALLOY

stellite



COMPOSITION

HCR60

Co: 44 - 48 %
Cr: 28 - 32 %
W: 13 - 17 %
Nb: 3 - 5 %
C: 1 - 5 %
Fe: 1.5 - 4 %
Mn: 0.5 - 2 %
B: 0.1 - 0.6 %

JONALLOY

Is a cast alloy, comprised principally of cobalt. It bridges the gap between HS (high speed steel) and HW (carbide).

The fine grain structure and physical properties makes it especially recommended and widely used for cutting operations in:

- most solid woods (soft and medium, except exotics)
- metals

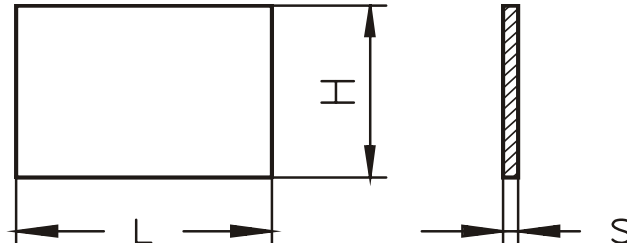
It also finds considerable use for wear parts.

CHARACTERISTICS:

- wear resistant
- heat resistant (until 814°C/1497°F)
- non-magnetic
- rust-proof and highly corrosion-resistant
- low coefficient of friction
- highly resistant to shocks

JONALLOY BLANKS FOR PROFILING

- * Jonalloy profielmessen
- * Jonalloy plaquettes à profiler
- * Jonalloy Blanketts zum Profilieren



	L*H*S	d	C	h	REF
	15,00*15,00*2,00				2JPR00001
	15,00*20,00*2,00				2JPR00002
	20,00*20,00*2,00				2JPR00003
	20,00*25,00*2,00				2JPR00004
	20,00*30,00*2,00				2JPR00005
	20,00*35,00*2,00				2JPR00006
	25,00*20,00*2,00				2JPR00007
	25,00*25,00*2,00				2JPR00008
	25,00*30,00*2,00				2JPR00009
	25,00*35,00*2,00				2JPR00010
	30,00*20,00*2,00				2JPR00011
	30,00*25,00*2,00				2JPR00012
	30,00*30,00*2,00				2JPR00015
	30,00*35,00*2,00				2JPR00016
	30,00*40,00*2,00				2JPR00017
	35,00*25,00*2,00				2JPR00019
	35,00*30,00*2,00				2JPR00020
	35,00*35,00*2,00				2JPR00021
	35,00*40,00*2,00				2JPR00022
	40,00*20,00*2,00				2JPR00023
	40,00*25,00*2,00				2JPR00024
	40,00*30,00*2,00				2JPR00025
	40,00*35,00*2,00				2JPR00026
	40,00*40,00*2,00				2JPR00027
	45,00*30,00*2,00				2JPR00029
	45,00*35,00*2,00				2JPR00030
	50,00*20,00*2,00				2JPR00032
	50,00*25,00*2,00				2JPR00033
	50,00*30,00*2,00				2JPR00034
	50,00*40,00*2,00				2JPR00035
	50,00*45,00*2,00				2JPR00036
	60,00*20,00*2,00				2JPR00038
	60,00*25,00*2,00				2JPR00039
	60,00*30,00*2,00				2JPR00040
	60,00*35,00*2,00				2JPR00041
	60,00*45,00*2,00				2JPR00042
	60,00*45,00*2,00				2JPR00043

* dimensions in mm

* tolerances:

L: +0,01/-0,01

H: +0,1/0

S: 0/-0,02

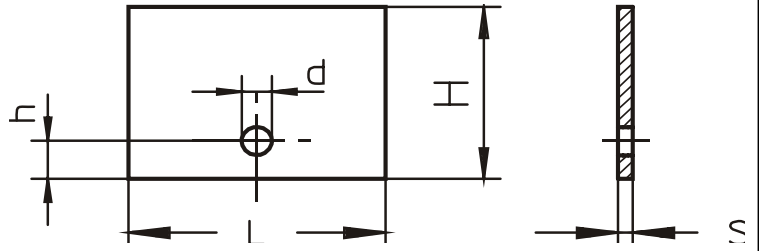
d: +0,25

C: +0,2

h: +0,1

JONALLOY BLANKS FOR PROFILING

- * Jonalloy profielmessen
- * Jonalloy plaquettes à profiler
- * Jonalloy Blanketts zum Profilieren



	L*H*S	d	C	h	REF
	15,00*15,00*2,00	4,10		6.50	2JPR1U001
	15,00*20,00*2,00	4,10		6.50	2JPR1U002
	15,00*25,00*2,00	4,10		6.50	2JPR1U003
	15,00*30,00*2,00	4,10		6.50	2JPR1U004
	20,00*20,00*2,00	4,10		6.50	2JPR1U006
	20,00*25,00*2,00	4,10		6.50	2JPR1U007
	20,00*30,00*2,00	4,10		6.50	2JPR1U008
	20,00*35,00*2,00	4,10		6.50	2JPR1U009
	25,00*20,00*2,00	4,10		6.50	2JPR1U010
	25,00*25,00*2,00	4,10		6.50	2JPR1U011
	25,00*30,00*2,00	4,10		6.50	2JPR1U012
	25,00*35,00*2,00	4,10		6.50	2JPR1U013
	30,00*20,00*2,00	4,10		6.50	2JPR1U014
	30,00*25,00*2,00	4,10		6.50	2JPR1U015
	30,00*30,00*2,00	4,10		6.50	2JPR1U016
	30,00*35,00*2,00	4,10		6.50	2JPR1U017
	30,00*40,00*2,00	4,10		6.50	2JPR1U018
	30,00*45,00*2,00	4,10		6.50	2JPR1U019
	35,00*25,00*2,00	4,10		6.50	2JPR1U020
	35,00*30,00*2,00	4,10		6.50	2JPR1U021
	35,00*35,00*2,00	4,10		6.50	2JPR1U022
	35,00*40,00*2,00	4,10		6.50	2JPR1U023
	30,00*30,00*3,00	4,10		6.50	2JPR1U025
	30,00*35,00*3,00	4,10		6.50	2JPR1U026
	30,00*40,00*3,00	4,10		6.50	2JPR1U027
	30,00*45,00*3,00	4,10		6.50	2JPR1U028
	35,00*30,00*3,00	4,10		6.50	2JPR1U029
	35,00*35,00*3,00	4,10		6.50	2JPR1U030
	35,00*40,00*3,00	4,10		6.50	2JPR1U031
	40,00*30,00*2,00	3,00		6.00	2JPR1U036
	20,00*30,00*3,00	4,50		7.20	2JPR1U050
	25,00*30,00*3,00	4,50		7.20	2JPR1U051
	25,00*50,00*3,00	4,50		6.50	2JPR1U055
	25,00*35,00*3,00	4,50		7.20	2JPR1U059
	25,00*40,00*3,00	4,50		7.20	2JPR1U060

* dimensions in mm

* tolerances:

L: +0,01/-0,01

H: +0,1/0

S: 0/-0,02

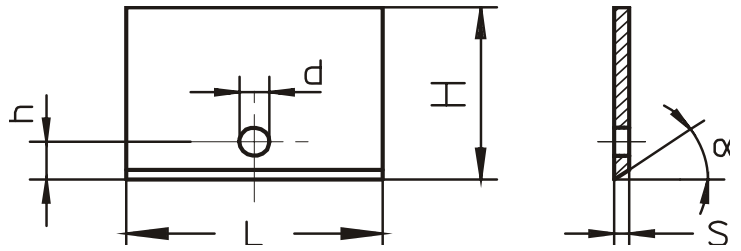
d: +0,25

C: +0,2

h: +0,1

JONALLOY BLANKS FOR PROFILING

- * Jonalloy profielmessen
- * Jonalloy plaquettes à profiler
- * Jonalloy Blanketts zum Profilieren



L*H*S	d	C	h	REF
15,00*15,00*2,00	4,10		6.30	2JPS1U001
15,00*20,00*2,00	4,10		6.30	2JPS1U002
15,00*25,00*2,00	4,10		6.30	2JPS1U003
15,00*30,00*2,00	4,10		6.30	2JPS1U004
20,00*20,00*2,00	4,10		6.30	2JPS1U006
20,00*25,00*2,00	4,10		6.30	2JPS1U007
20,00*30,00*2,00	4,10		6.30	2JPS1U008
20,00*35,00*2,00	4,10		6.30	2JPS1U009
25,00*20,00*2,00	4,10		6.30	2JPS1U010
25,00*25,00*2,00	4,10		6.30	2JPS1U011
25,00*30,00*2,00	4,10		6.30	2JPS1U012
25,00*35,00*2,00	4,10		6.30	2JPS1U013
30,00*20,00*2,00	4,10		6.30	2JPS1U014
30,00*25,00*2,00	4,10		6.30	2JPS1U015
30,00*30,00*2,00	4,10		6.30	2JPS1U016
30,00*35,00*2,00	4,10		6.30	2JPS1U017
35,00*25,00*2,00	4,10		6.30	2JPS1U018
35,00*30,00*2,00	4,10		6.30	2JPS1U019
35,00*35,00*2,00	4,10		6.30	2JPS1U020
35,00*20,00*2,00	4,10		6.30	2JPS1U021
35,00*40,00*2,00	4,10		6.30	2JPS1U022
40,00*25,00*2,00	4,10		6.30	2JPS1U023
40,00*30,00*2,00	4,10		6.30	2JPS1U024
40,00*35,00*2,00	4,10		6.30	2JPS1U025
40,00*40,00*2,00	4,10		6.30	2JPS1U026
50,00*25,00*2,00	4,10		6.30	2JPS1U042

* dimensions in mm

* tolerances:

L: +0,01/-0,01

H: +0,1/0

S: 0/-0,02

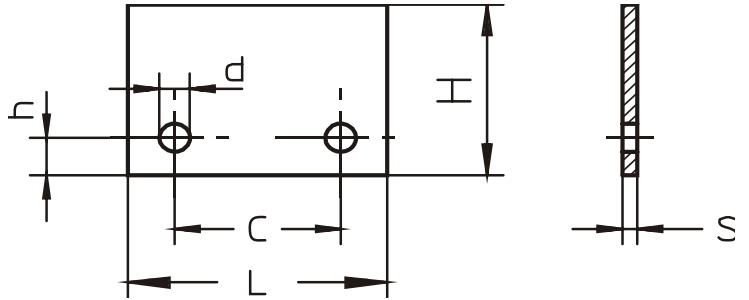
d: +0,25

C: +0,2

h: +0,1

JONALLOY BLANKS FOR PROFILING

- * Jonalloy profielmessen
- * Jonalloy plaquettes à profiler
- * Jonalloy Blanketts zum Profilieren



L*H*S	d	C	h	REF
30,00*20,00*2,00	4,10	14,00	6,50	2JPR2U001
30,00*25,00*2,00	4,10	14,00	6,50	2JPR2U002
30,00*30,00*2,00	4,10	14,00	6,50	2JPR2U003
30,00*35,00*2,00	4,50	14,00	6,50	2JPR2U004
30,00*40,00*2,00	4,10	14,00	6,50	2JPR2U005
35,00*25,00*2,00	4,10	14,00	6,50	2JPR2U006
35,00*30,00*2,00	4,10	14,00	6,50	2JPR2U007
35,00*35,00*2,00	4,10	14,00	6,50	2JPR2U008
35,00*40,00*2,00	4,10	14,00	6,50	2JPR2U009
40,00*20,00*2,00	4,10	26,00	6,50	2JPR2U010
40,00*25,00*2,00	4,10	26,00	6,50	2JPR2U011
40,00*30,00*2,00	4,10	26,00	6,50	2JPR2U012
40,00*35,00*2,00	4,10	26,00	6,50	2JPR2U013
40,00*40,00*2,00	4,10	26,00	6,50	2JPR2U014
50,00*20,00*2,00	4,10	26,00	6,50	2JPR2U017
50,00*25,00*2,00	4,10	26,00	6,50	2JPR2U018
50,00*30,00*2,00	4,10	26,00	6,50	2JPR2U019
50,00*35,00*2,00	4,10	26,00	6,50	2JPR2U020
50,00*40,00*2,00	4,10	26,00	6,50	2JPR2U021
50,00*45,00*2,00	4,10	26,00	6,50	2JPR2U022
50,00*50,00*2,00	4,10	26,00	6,50	2JPR2U023
60,00*20,00*2,00	4,10	26,00	6,50	2JPR2U025
60,00*25,00*2,00	4,10	26,00	6,50	2JPR2U026
60,00*30,00*2,00	4,10	26,00	6,50	2JPR2U027
60,00*35,00*2,00	4,10	26,00	6,50	2JPR2U028
80,00*40,00*2,00	4,10	26,00	6,50	2JPR2U029
80,00*20,00*2,00	4,10	26,00	6,50	2JPR2U030
80,00*30,00*2,00	4,10	26,00	6,50	2JPR2U031
80,00*35,00*2,00	4,10	26,00	6,50	2JPR2U032
60,00*45,00*2,00	4,10	26,00	6,50	2JPR2U035
60,00*40,00*2,00	5,50	45,50	6,30	2JPR2U037
40,00*60,00*3,00	5,00	27,00	7,80	2JPR2U044
35,00*25,00*3,10	5,00	19,00	6,00	2JPR2U055
80,00*25,00*3,00	4,50	60,00	6,50	2JPR2U060
30,00*30,00*3,17	4,00	19,00	4,75	2JPR2U066
40,00*25,00*3,17	5,00	27,00	5,50	2JPR2U071
60,00*60,00*2,00	4,50	26,00	6,50	2JPR2U072
50,00*30,00*3,00	5,00	26,00	6,40	2JPR2U073

* dimensions in mm

* tolerances:

L: +0,01/-0,01

H: +0,1/0

S: 0/-0,02

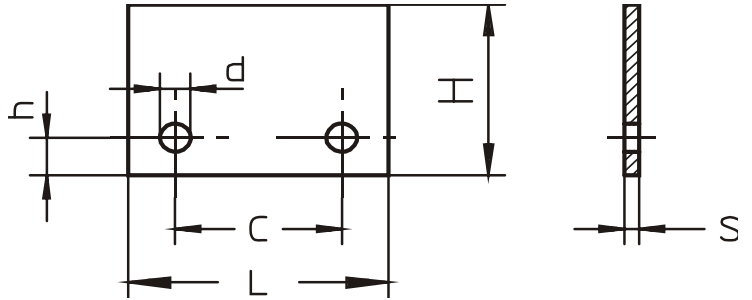
d: +0,25

C: +0,2

h: +0,1

JONALLOY BLANKS FOR PROFILING

- * Jonalloy profielmessen
- * Jonalloy plaquettes à profiler
- * Jonalloy Blanketts zum Profilieren



L*H*S	d	C	h	REF
30,00*32,00*3,00	4,50	20,00	7,00	2JPR2U074
50,00*32,00*3,00	4,50	26,00	7,00	2JPR2U075
60,00*32,00*3,00	4,50	40,00	7,00	2JPR2U076
30,00*35,00*3,00	4,50	20,00	7,00	2JPR2U077
50,00*35,00*3,00	4,50	26,00	7,00	2JPR2U078
60,00*35,00*3,00	4,50	40,00	7,00	2JPR2U079
60,00*35,00*3,20	4,50	32,00	7,00	2JPR2U080
50,00*35,00*3,20	4,50	26,00	7,00	2JPR2U081
25,40*31,75*3,00	4,00	14,00	6,00	2JPR2U095
30,00*30,00*3,20	4,00	19,00	4,70	2JPR2U100
30,00*32,00*3,10	3,80	19,00	4,70	2JPR2U102
41,00*31,00*3,00	6,00	20,00	6,50	2JPR2U124

* dimensions in mm

* tolerances:

L: +0,01/-0,01

H: +0,1/0

S: 0/-0,02

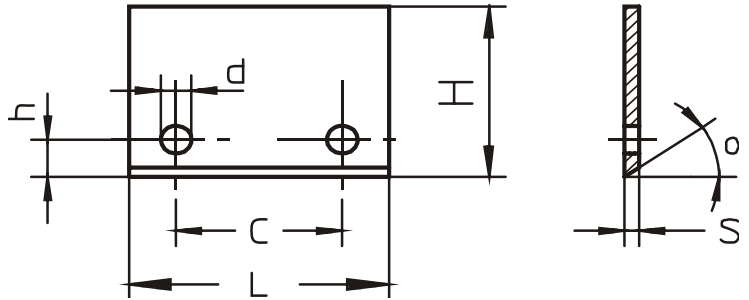
d: +0,25

C: +0,2

h: +0,1

JONALLOY BLANKS FOR PROFILING

- * Jonalloy profielmessen
- * Jonalloy plaquettes à profiler
- * Jonalloy Blanketts zum Profilieren



L*H*S	d	C	h	REF
35,00*25,00*2,00	5,00	26,00	5,50	2JPS2U001
35,00*40,00*2,00	4,00	26,00	5,50	2JPS2U002
40,00*20,00*2,00	4,10	26,00	5,50	2JPS2U003
40,00*25,00*2,00	4,10	26,00	5,50	2JPS2U004
40,00*30,00*2,00	4,10	26,00	5,50	2JPS2U005
40,00*35,00*2,00	4,10	26,00	5,50	2JPS2U007
40,00*40,00*2,00	4,10	26,00	6,00	2JPS2U008
50,00*20,00*2,00	4,10	26,00	5,50	2JPS2U009
50,00*25,00*2,00	4,10	26,00	5,50	2JPS2U010
50,00*30,00*2,00	4,10	26,00	5,50	2JPS2U012
50,00*40,00*2,00	4,10	34,00	6,00	2JPS2U013
50,00*45,00*2,00	4,10	34,00	6,00	2JPS2U014
60,00*20,00*2,00	4,10	26,00	5,50	2JPS2U015
60,00*25,00*2,00	4,10	26,00	5,50	2JPS2U017
60,00*30,00*2,00	4,10	26,00	6,00	2JPS2U019
60,00*35,00*2,00	4,10	26,00	6,00	2JPS2U021
60,00*40,00*2,00	4,10	44,00	6,00	2JPS2U022
80,00*45,00*2,00	4,10	60,00	6,00	2JPS2U023
100,00*45,00*2,00	4,10	80,00	6,00	2JPS2U024
120,00*45,00*2,00	4,10	80,00	6,00	2JPS2U025
30,00*25,00*2,00	4,10	14,00	6,30	2JPS2U026
30,00*30,00*2,00	4,10	14,00	6,30	2JPS2U027
30,00*35,00*2,00	4,10	14,00	6,30	2JPS2U028
35,00*30,00*2,00	4,10	14,00	6,30	2JPS2U030
50,00*20,00*2,00	4,10	26,00	6,30	2JPS2U038
70,00*25,00*2,00	4,10	26,00	6,30	2JPS2U050
70,00*30,00*2,00	4,10	26,00	6,30	2JPS2U051
70,00*35,00*2,00	4,10	26,00	6,30	2JPS2U052
80,00*25,00*2,00	4,10	60,00	6,30	2JPS2U053
80,00*30,00*2,00	4,10	60,00	6,30	2JPS2U054
80,00*35,00*2,00	4,10	60,00	6,30	2JPS2U055
80,00*40,00*2,00	4,10	60,00	6,30	2JPS2U056
30,00*32,00*3,10	4,10	19,00	6,00	2JPS2U058
40,00*30,00*3,00	4,10	20,00	5,50	2JPS2U068

* dimensions in mm

* tolerances:

L: +0,01/-0,01

H: +0,1/0

S: 0/-0,02

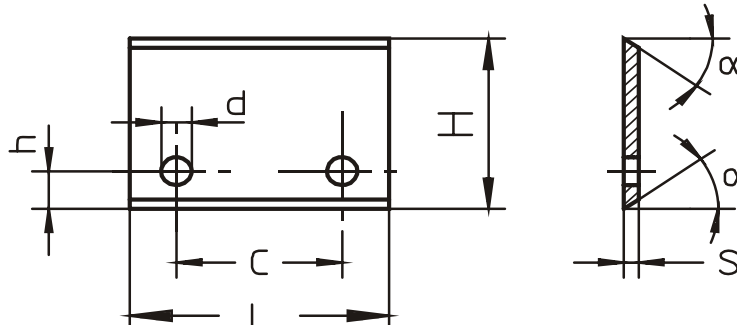
d: +0,25

C: +0,2

h: +0,1

JONALLOY BLANKS FOR PROFILING

- * Jonalloy profielmessen
- * Jonalloy plaquettes à profiler
- * Jonalloy Blanketts zum Profilieren



L*H*S	d	C	h	REF
50,00*25,40*2,00	4,10	26.00	6.00	2JPZ2U001
40,00*25,40*2,00	4,10	26.00	6.00	2JPZ2U002
80,00*40,00*2,00	4,10	44.00	8.00	2JPZ2U003
40,00*40,00*2,00	4,10	26.00	5.50	2JPZ2U004
40,00*25,40*2,00	4,10	26.00	6.30	2JPZ2U005
40,00*30,00*2,00	4,00	20.00	6.00	2JPZ2U006
60,00*40,00*2,00	5,00	44.00	6.00	2JPZ2U010
40,00*35,00*2,00	4,10	26.00	5.50	2JPZ2U013
60,00*40,00*2,00	4,10	44.00	6.00	2JPZ2U014

* dimensions in mm

* tolerances:

L: +0,01/-0,01

H: +0,1/0

S: 0/-0,02

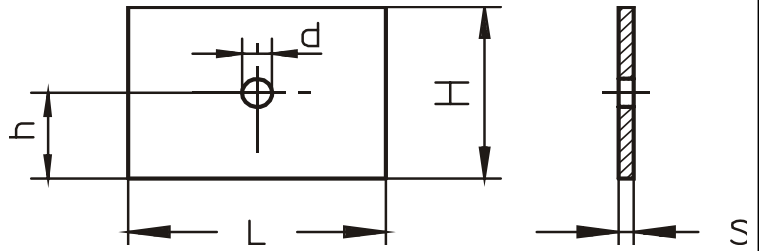
d: +0,25

C: +0,2

h: +0,1

JONALLOY BLANKS FOR PROFILING

- * Jonalloy profielmessen
- * Jonalloy plaquettes à profiler
- * Jonalloy Blanketts zum Profilieren



L*H*S	d	C	h	REF
15,00*15,00*2,00	4,10			2JPR1M001
15,00*20,00*2,00	4,10			2JPR1M002
20,00*20,00*2,00	4,10			2JPR1M003
20,00*25,00*2,00	4,10			2JPR1M004
20,00*30,00*2,00	4,10			2JPR1M005
25,00*20,00*2,00	4,10			2JPR1M006
25,00*25,00*2,00	4,10			2JPR1M007
25,00*30,00*2,00	4,10			2JPR1M008
30,00*20,00*2,00	4,10			2JPR1M009
30,00*25,00*2,00	4,10			2JPR1M010
30,00*30,00*2,00	4,10			2JPR1M011
35,00*30,00*2,00	3,00			2JPR1M012
35,00*35,00*2,00	3,00			2JPR1M013
24,00*22,00*2,00	3,00			2JPR1M014
28,00*24,00*2,00	3,00			2JPR1M015
32,00*24,00*2,00	3,00			2JPR1M016
36,00*28,00*2,00	3,00			2JPR1M017
40,00*26,00*2,00	3,00			2JPR1M018

* dimensions in mm

* tolerances:

L: +0,01/-0,01

H: +0,1/0

S: 0/-0,02

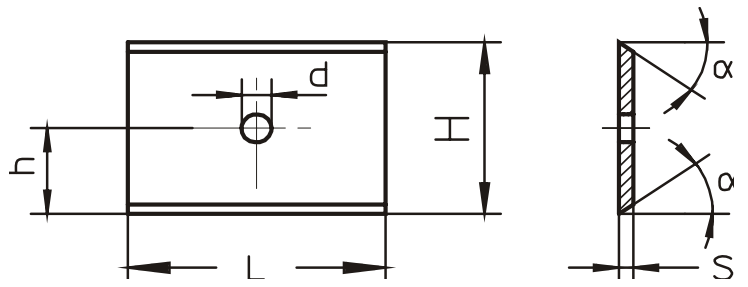
d: +0,25

C: +0,2

h: +0,1

JONALLOY BLANKS FOR PROFILING

- * Jonalloy profielmessen
- * Jonalloy plaquettes à profiler
- * Jonalloy Blanketts zum Profilieren



L*H*S	d	C	h	REF
15,00*15,00*2,00	4,10			2JPZ1M001
20,00*20,00*2,00	4,10			2JPZ1M002
25,00*16,00*2,00	3,50			2JPZ1M004
25,00*25,00*2,00	4,10			2JPZ1M005
30,00*20,00*2,00	4,10			2JPZ1M006
30,00*25,00*2,00	4,10			2JPZ1M007
30,00*26,00*2,00	4,10			2JPZ1M008
40,00*20,00*2,00	4,10			2JPZ1M009
40,00*25,00*2,00	4,10			2JPZ1M010
40,00*30,00*2,00	4,10			2JPZ1M011
20,00*30,00*2,00	4,10			2JPZ1M012
25,00*35,00*2,00	4,10			2JPZ1M013
30,00*26,00*2,00	3,30			2JPZ1M015
30,00*35,00*2,00	4,00			2JPZ1M016
30,00*40,00*2,00	3,50			2JPZ1M018
35,00*25,00*2,00	4,00			2JPZ1M019
35,00*35,00*2,00	4,00			2JPZ1M021
50,00*30,00*2,00	4,00			2JPZ1M024
26,00*18,00*2,00	4,00			2JPZ1M032

9.59

* dimensions in mm

* tolerances:

L: +0,01/-0,01

H: +0,1/0

S: 0/-0,02

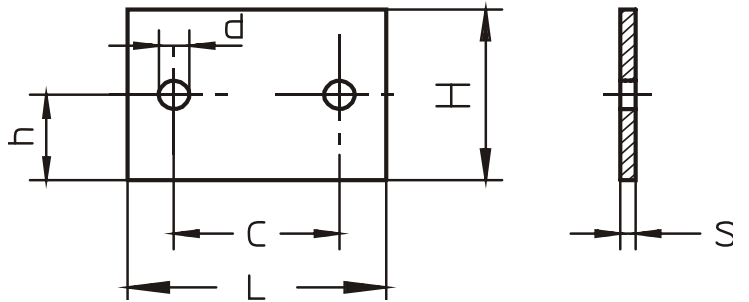
d: +0,25

C: +0,2

h: +0,1

JONALLOY BLANKS FOR PROFILING

- * Jonalloy profielmessen
- * Jonalloy plaquettes à profiler
- * Jonalloy Blanketts zum Profilieren



L*H*S	d	C	h	REF
30,00*25,00*2,00	4,10	14,00		2JPR2M001
30,00*30,00*2,00	4,10	14,00		2JPR2M002
30,00*35,00*2,00	4,10	14,00		2JPR2M003
30,00*40,00*2,00	4,10	14,00		2JPR2M004
40,00*30,00*2,00	4,10	26,00		2JPR2M005
40,00*32,00*2,00	4,10	26,00		2JPR2M006
40,00*40,00*2,00	4,10	26,00		2JPR2M007
42,00*25,00*2,00	4,10	26,00		2JPR2M008
42,00*32,00*2,00	4,10	26,00		2JPR2M009
42,00*40,00*2,00	4,10	26,00		2JPR2M010
42,00*42,00*2,00	4,10	26,00		2JPR2M011
50,00*30,00*2,00	4,10	26,00		2JPR2M012
50,00*35,00*2,00	4,10	26,00		2JPR2M013
50,00*40,00*2,00	4,10	26,00		2JPR2M014
50,00*50,00*2,00	4,10	26,00		2JPR2M015
60,00*30,00*2,00	4,10	26,00		2JPR2M016
60,00*40,00*2,00	4,10	26,00		2JPR2M017
60,00*50,00*2,00	4,10	26,00		2JPR2M018
80,00*40,00*2,00	4,10	26,00		2JPR2M019
100,00*50,00*2,00	4,10	26,00		2JPR2M020
48,00*36,00*2,00	3,00	24,00		2JPR2M022
52,00*34,00*2,00	3,00	24,00		2JPR2M023
42,00*31,75*3,17	3,80	20,00		2JPR2M024
41,27*31,75*3,17	4,10	20,65		2JPR2M025
44,00*32,62*3,20	3,60	20,00		2JPR2M027
50,00*35,00*3,20	4,10	26,00		2JPR2M028

* dimensions in mm

* tolerances:

L: +0,01/-0,01

H: +0,1/0

S: 0/-0,02

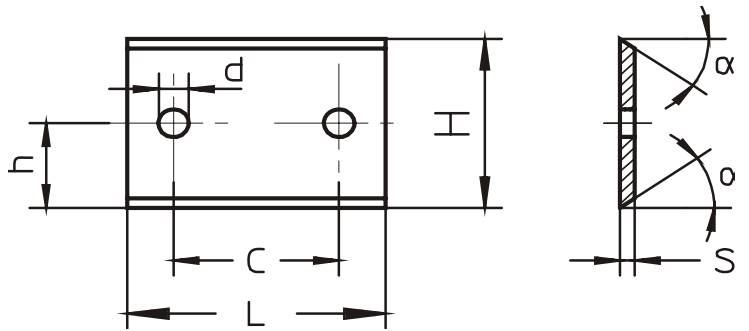
d: +0,25

C: +0,2

h: +0,1

JONALLOY BLANKS FOR PROFILING

- * Jonalloy profielmessen
- * Jonalloy plaquettes à profiler
- * Jonalloy Blanketts zum Profilieren



L*H*S	d	C	h	REF
30,00*25,00*2,00	3,50	20,00		2JPZ2M001
30,00*26,00*2,00	3,50	20,00		2JPZ2M002
30,00*35,00*2,00	4,10	20,00		2JPZ2M003
40,00*16,00*2,00	4,10	26,00		2JPZ2M004
40,00*20,00*2,00	4,10	20,00		2JPZ2M005
40,00*25,00*2,00	4,10	20,00		2JPZ2M006
40,00*30,00*2,00	3,50	20,00		2JPZ2M008
40,00*32,60*2,00	3,50	20,00		2JPZ2M009
40,00*35,00*2,00	4,10	26,00		2JPZ2M010
40,00*42,80*2,00	3,50	20,00		2JPZ2M011
50,00*16,00*2,00	4,10	26,00		2JPZ2M012
50,00*25,00*2,00	4,10	26,00		2JPZ2M013
50,00*30,00*2,00	4,10	26,00		2JPZ2M014
50,00*45,00*2,00	4,10	34,00		2JPZ2M015
60,00*20,00*2,00	4,10	26,00		2JPZ2M016
60,00*25,00*2,00	4,10	26,00		2JPZ2M017
60,00*32,60*2,00	4,10	20,00		2JPZ2M018
60,00*35,00*2,00	4,10	44,00		2JPZ2M020
60,00*40,00*2,00	4,10	44,00		2JPZ2M021
60,00*42,80*2,00	3,50	20,00		2JPZ2M022
80,00*45,00*2,50	4,10	60,00		2JPZ2M023
50,00*45,00*2,00	3,00	34,00		2JPZ2M028
60,00*19,00*2,00	3,00	44,00		2JPZ2M029
30,00*40,00*2,00	3,50	20,00		2JPZ2M033
35,00*25,00*2,00	3,30	20,00		2JPZ2M034
35,00*30,00*2,00	4,00	20,00		2JPZ2M036
35,00*35,00*2,00	4,00	26,00		2JPZ2M039
35,00*40,00*2,00	4,00	20,00		2JPZ2M040
45,00*35,00*2,00	4,00	26,00		2JPZ2M048
50,00*20,00*2,00	4,00	26,00		2JPZ2M049
51,00*40,00*2,00	4,00	34,00		2JPZ2M051
60,00*26,00*2,00	4,00	26,00		2JPZ2M052
60,00*30,00*2,00	4,00	44,00		2JPZ2M056
50,00*35,00*2,00	4,10	26,00		2JPZ2M065

* dimensions in mm

* tolerances:

L: +0,01/-0,01

H: +0,1/0

S: 0/-0,02

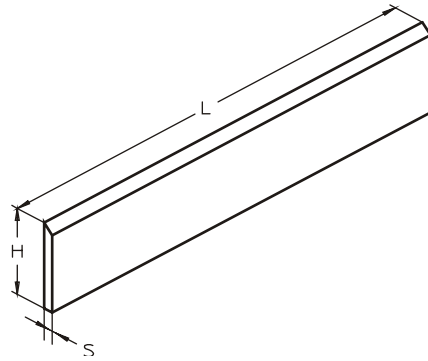
d: +/-0,25

C: +/-0,2

h: +/-0,1

SOLID JONALLOY PLANING KNIVES

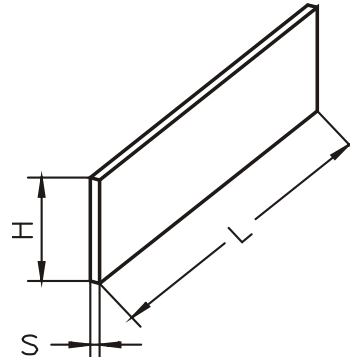
- * *massieve Jonalloy schaafmessen*
- * *fers minces Jonalloy massif*
- * *Hobelmesser voll-Jonalloy*



	L*H*S	REF
	060*30*3,00	2JM30306045
	080*30*3,00	2JM30308045
	100*30*3,00	2JM30310045
	120*30*3,00	2JM30312045
	130*30*3,00	2JM30313045
	150*30*3,00	2JM30315045
	170*30*3,00	2JM30317045
	180*30*3,00	2JM30318045
	230*30*3,00	2JM30323045
	240*30*3,00	2JM30324045
	260*30*3,00	2JM30326045
	300*30*3,00	2JM30330045
	320*30*3,00	2JM30332045
	330*30*3,00	2JM30333045
* Standard wedge angle 45°, other angles (30°/35°/40°/50°) or dimensions on request (max. length 330mm)		
* Standaard wighoek 45°, andere hoeken (30°/35°/40°/50°) of afmetingen op aanvraag (max. lengte 330mm)		
* Angle de bec standard 45°, autres angles (30°/35°/40°/50°) ou dimensions sur demande (longueur max. 330mm)		
* Standard Keilwinkel 45°, sonstige Winkel (30°/35°/40°/50°) oder Abmessungen auf Anfrage (max. Länge 330mm)		

JONALLOY FLAT TIPS, ROUGH GROUND

- * Jonalloy plaketten geschuurd
- * Jonalloy barreaux poncés
- * Jonalloy Stäben roh geschliffen



	L*H*S	REF
	132,50*10,00*1,50	2JSP1510132R
	152,50*10,00*1,50	2JSP1510152R
	189,00*10,00*1,50	2JSP1510189R
	232,50*10,00*1,50	2JSP1510232R
	137,00*16,00*1,80	2JSP1816137R
	157,00*16,00*1,80	2JSP1816157R
	187,00*16,00*1,80	2JSP1816187R
	181,00*18,00*2,20	2JSP2218181R
	181,00*20,00*2,20	2JSP2220181R
	181,00*25,00*2,20	2JSP2225181R
	181,00*29,00*2,20	2JSP2229181R
	167,00*30,00*2,20	2JSP2230167R
	181,00*34,00*2,20	2JSP2234181R
	181,00*35,00*2,20	2JSP2235181R
	181,00*40,50*2,20	2JSP2240181R
	181,00*30,00*2,50	2JSP2530181R
	181,00*35,00*2,50	2JSP2535181R
	181,00*40,00*2,50	2JSP2540181R

* dimensions in mm

* tolerances:

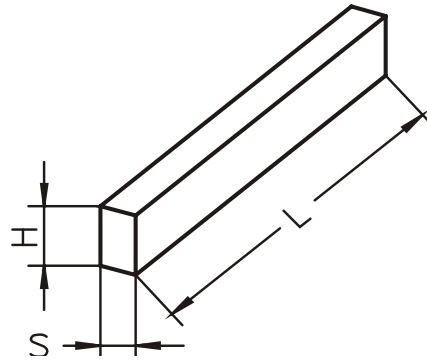
L: +0,5/-0,5

H: +0,03/-0,03

S: +0,2/-0,1

JONALLOY RECTANGULAR BARS, FINISH GROUND

- * Jonalloy staven geslepen
- * Jonalloy barreaux rectifiés
- * Jonalloy Stäben fertig geschliffen



	L*H*S	REF
	152,40*06,36*2,38	2JSR02306152F
	152,40*09,52*2,38	2JSR02309152F
	152,40*12,70*2,38	2JSR02312152F
	152,40*15,88*2,38	2JSR02315152F
	152,40*19,05*2,38	2JSR02319152F
	152,40*22,23*2,38	2JSR02322152F
	152,40*25,40*2,38	2JSR02325152F
	152,40*28,57*2,38	2JSR02328152F
	152,40*31,75*2,38	2JSR02331152F
	152,40*38,10*2,38	2JSR02338152F
	100,00*12,00*3,00	2JSR03012100F
	165,00*12,00*3,00	2JSR03012165F
	165,00*16,00*3,00	2JSR03016165F
	152,40*06,35*3,17	2JSR03106152F
	152,40*12,70*3,17	2JSR03112152F
	165,00*12,70*3,17	2JSR03112165F
	152,40*15,87*3,17	2JSR03115152F
	165,00*15,87*3,17	2JSR03115165F
	152,40*19,05*3,17	2JSR03119152F
	165,00*19,05*3,17	2JSR03119165F
	152,40*20,64*3,17	2JSR03120152F
	165,00*20,64*3,17	2JSR03120165F
	152,40*25,40*3,17	2JSR03125152F
	165,00*25,40*3,17	2JSR03125165F
	152,40*28*57*3,17	2JSR03128152F
	152,40*31,75*3,17	2JSR03131152F
	165,00*31,75*3,17	2JSR03131165F
	152,40*38,10*3,17	2JSR03138152F
	152,40*09,52*3,96	2JSR03909152F
	152,40*12,70*3,96	2JSR03912152F
	152,40*15,88*3,96	2JSR03915152F
	152,40*19,05*3,96	2JSR03919152F
	152,40*22,23*3,96	2JSR03922152F
	152,40*25,40*3,96	2JSR03925152F
	152,40*25,57*3,96	2JSR03928152F
	152,40*31,75*3,96	2JSR03931152F
	152,40*38,10*3,96	2JSR03938152F

* dimensions in mm

* tolerances:

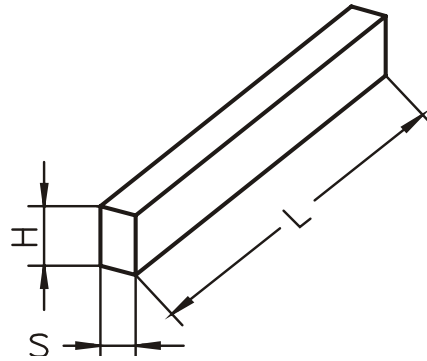
L: +0,3/-0,3

H: +0,03/-0,03

S: +0/-0,05

JONALLOY RECTANGULAR BARS, FINISH GROUND

- * Jonalloy staven geslepen
- * Jonalloy barreaux rectifiés
- * Jonalloy Stäben fertig geschliffen



	L*H*S	REF
	165,00*10,00*4,00	2JSR04010165F
	165,00*12,00*4,00	2JSR04012165F
	165,00*16,00*4,00	2JSR04016165F
	150,00*20,00*4,00	2JSR04020150F
	165,00*20,00*4,00	2JSR04020165F
	150,00*25,00*4,00	2JSR04025150F
	165,00*25,00*4,00	2JSR04025165F
	150,00*30,00*4,00	2JSR04030150F
	165,00*30,00*4,00	2JSR04030165F
	150,00*35,00*4,00	2JSR04035150F
	165,00*35,00*4,00	2JSR04035165F
	152,40*09,52*4,76	2JSR04709152F
	152,40*12,70*4,76	2JSR04712152F
	165,00*12,70*4,76	2JSR04712165F
	152,40*15,88*4,76	2JSR04715152F
	165,00*15,88*4,76	2JSR04715165F
	152,40*19,05*4,76	2JSR04719152F
	165,00*19,05*4,76	2JSR04719165F
	152,40*20,65*4,76	2JSR04720152F
	152,40*25,40*4,76	2JSR04725152F
	165,00*25,40*4,76	2JSR04725165F
	152,40*31,75*4,76	2JSR04731152F
	165,00*31,75*4,76	2JSR04731165F
	152,40*38,10*4,76	2JSR04738152F
	165,00*38,10*4,76	2JSR04738165F
	150,00*25,00*5,00	2JSR05025150F
	165,00*25,00*5,00	2JSR05025165F
	165,00*30,00*5,00	2JSR05030165F
	150,00*35,00*5,00	2JSR05035150F
	165,00*35,00*5,00	2JSR05035165F
	150,00*40,00*5,00	2JSR05040150F
	165,00*40,00*5,00	2JSR05040165F
	165,00*08,00*6,00	2JSR06008165F
	165,00*10,00*6,00	2JSR06010165F
	165,00*12,00*6,00	2JSR06012165F
	165,00*16,00*6,00	2JSR06016165F
	150,00*20,00*6,00	2JSR06020150F

* dimensions in mm

* tolerances:

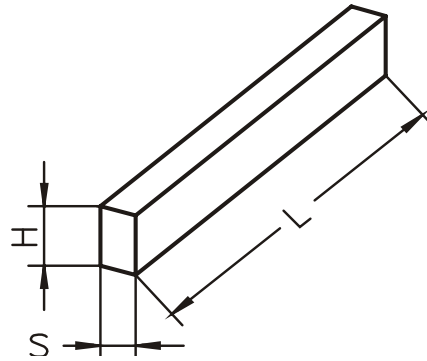
L: +0,3/-0,3

H: +0,03/-0,03

S: +0/-0,05

JONALLOY RECTANGULAR BARS, FINISH GROUND

- * Jonalloy staven geslepen
- * Jonalloy barreaux rectifiés
- * Jonalloy Stäben fertig geschliffen



	L*H*S	REF
	165,00*20,00*6,00	2JSR06020165F
	150,00*25,00*6,00	2JSR06025150F
	165,00*25,00*6,00	2JSR06025165F
	150,00*30,00*6,00	2JSR06030150F
	165,00*30,00*6,00	2JSR06030165F
	165,00*35,00*6,00	2JSR06035165F
	150,00*40,00*6,00	2JSR06040150F
	165,00*40,00*6,00	2JSR06040165F
	152,40*09,53*6,35	2JSR06309152F
	152,40*12,70*6,35	2JSR06312152F
	165,00*12,70*6,35	2JSR06312165F
	152,40*15,88*6,35	2JSR06315152F
	165,00*15,88*6,35	2JSR06315165F
	152,40*19,05*6,35	2JSR06319152F
	165,00*19,05*6,35	2JSR06319165F
	152,40*25,40*6,35	2JSR06325152F
	165,00*25,40*6,35	2JSR06325165F
	152,40*31,75*6,35	2JSR06331152F
	165,00*31,75*6,35	2JSR06331165F
	152,40*38,10*6,35	2JSR06338152F
	165,00*38,10*6,35	2JSR06338165F
	150,00*12,00*8,00	2JSR08012150F
	165,00*12,00*8,00	2JSR08012165F
	150,00*16,00*8,00	2JSR08016150F
	165,00*16,00*8,00	2JSR08016165F
	150,00*20,00*8,00	2JSR08020150F
	165,00*20,00*8,00	2JSR08020165F
	150,00*32,00*8,00	2JSR08032150F
	165,00*32,00*8,00	2JSR08032165F
	150,00*35,00*8,00	2JSR08035150F
	165,00*35,00*8,00	2JSR08035165F
	150,00*40,00*8,00	2JSR08040150F
	165,00*40,00*8,00	2JSR08040165F
	150,00*45,00*8,00	2JSR08045150F
	165,00*45,00*8,00	2JSR08045165F
	152,40*19,05*9,53	2JSR09519152F
	165,00*19,05*9,35	2JSR09519165F

* dimensions in mm

* tolerances:

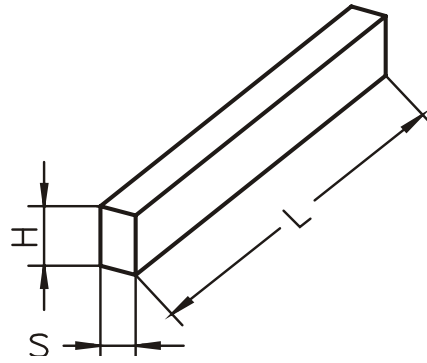
L: +0,3/-0,3

H: +0,03/-0,03

S: +0/-0,05

JONALLOY RECTANGULAR BARS, FINISH GROUND

- * Jonalloy staven geslepen
- * Jonalloy barreaux rectifiés
- * Jonalloy Stäben fertig geschliffen

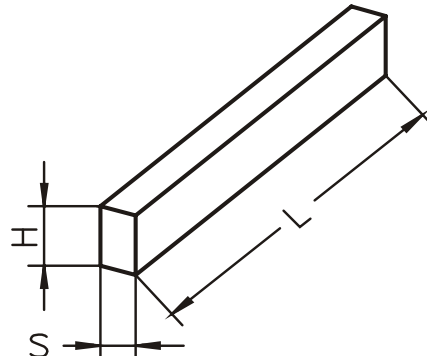


L*H*S	REF
152,40*25,40* 9,53	2JSR09525152F
165,00*25,40* 9,53	2JSR09525165F
150,00*20,00*12,00	2JSR12020150F
165,00*20,00*12,00	2JSR12020165F
152,40*31,75*15,88	2JSR15831152F
165,00*31,75*15,88	2JSR15831165F
152,40*25,40*19,05	2JSR19025152F
165,00*25,40*19,05	2JSR19025165F

* dimensions in mm
 * tolerances:
 L: +0,3/-0,3
 H: +0,03/-0,03
 S: +0/-0,05

JONALLOY RECTANGULAR BARS, ROUGH GROUND

- * Jonalloy staven geschuurd
- * Jonalloy barreaux poncés
- * Jonalloy Stäben roh geschliffen



	L*H*S	REF
	165,00*12,70*4,20	2JSR04212165R
	165,00*15,88*4,20	2JSR04215165R
	165,00*19,05*4,20	2JSR04219165R
	165,00*25,40*4,20	2JSR04225165R
	165,00*31,75*4,20	2JSR04231165R
	165,00*10,00*5,00	2JSR05010165R
	165,00*12,00*5,00	2JSR05012165R
	165,00*16,00*5,00	2JSR05016165R
	165,00*20,00*5,00	2JSR05020165R
	165,00*25,00*5,00	2JSR05025165R
	165,00*30,00*5,00	2JSR05030165R
	165,00*35,00*5,00	2JSR05035165R
	165,00*12,70*5,80	2JSR05812165R
	165,00*15,88*5,80	2JSR05815165R
	165,00*19,05*5,80	2JSR05819165R
	165,00*25,40*5,80	2JSR05825165R
	165,00*31,75*5,80	2JSR05831165R
	165,00*20,00*6,00	2JSR06020165R
	165,00*25,00*6,00	2JSR06025165R
	165,00*30,00*6,00	2JSR06030165R
	165,00*35,00*6,00	2JSR06035165R
	165,00*40,00*6,00	2JSR06040165R
	165,00*10,00*7,00	2JSR07010165R
	165,00*12,00*7,00	2JSR07012165R
	165,00*16,00*7,00	2JSR07016165R
	165,00*20,00*7,00	2JSR07020165R
	165,00*25,00*7,00	2JSR07025165R
	165,00*30,00*7,00	2JSR07030165R
	165,00*40,00*7,00	2JSR07040165R
	165,00*12,70*7,40	2JSR07412165R
	165,00*15,88*7,40	2JSR07415165R
	165,00*19,05*7,40	2JSR07419165R
	165,00*25,40*7,40	2JSR07425165R
	165,00*31,75*7,40	2JSR07431165R
	165,00*38,10*7,40	2JSR07438165R
	165,00*20,00*8,00	2JSR08020165R
	165,00*25,00*8,00	2JSR08025165R

* dimensions in mm

* tolerances:

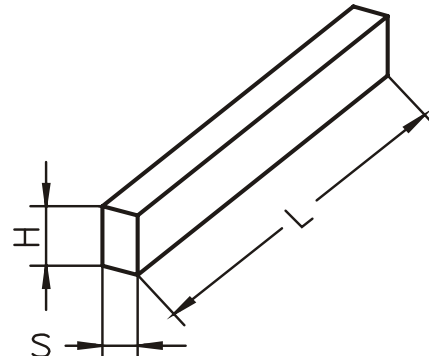
L: +0,3/-0,3

H: +0,03/-0,03

S: +0,1/-0,1

JONALLOY RECTANGULAR BARS, ROUGH GROUND

- * Jonalloy staven geschuurd
- * Jonalloy barreaux poncés
- * Jonalloy Stäben roh geschliffen



L*H*S	REF
165,00*30,00*8,00	2JSR08030165R
165,00*35,00*8,00	2JSR08035165R
165,00*40,00*8,00	2JSR08040165R
165,00*20,00*9,00	2JSR09020165R
165,00*25,00*9,00	2JSR09025165R
165,00*32,00*9,00	2JSR09032165R
165,00*35,00*9,00	2JSR09035165R
165,00*40,00*9,00	2JSR09040165R
165,00*45,00*9,00	2JSR09045165R

* dimensions in mm

* tolerances:

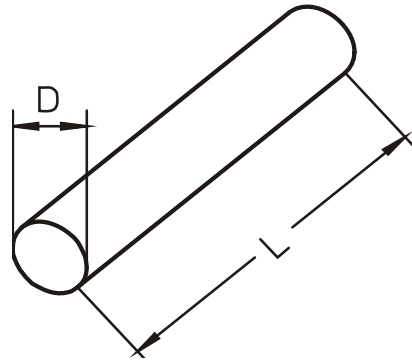
L: +0,3/-0,3

H: +0,03/-0,03

S: +0,1/-0,1

JONALLOY ROUND BARS, FINISH GROUND

- * Jonalloy staven geslepen
- * Jonalloy barreaux rectifiés
- * Jonalloy Stäben fertig geschliffen



	D*L	REF
	03,00*082,55	2JSO030082F
	03,00*101,60	2JSO030101F
	03,17*082,55	2JSO031082F
	03,17*101,60	2JSO031101F
	04,00*082,55	2JSO040082F
	04,00*100,00	2JSO040100F
	04,76*082,55	2JSO047082F
	04,76*101,60	2JSO047101F
	05,00*082,55	2JSO050082F
	05,00*100,00	2JSO050100F
	05,56*082,55	2JSO055082F
	05,56*101,60	2JSO055101F
	06,00*082,55	2JSO060082F
	06,00*100,00	2JSO060100F
	06,35*082,55	2JSO063082F
	06,35*101,60	2JSO063101F
	07,00*107,95	2JSO070107F
	07,14*107,95	2JSO071107F
	07,94*107,95	2JSO079107F
	08,00*075,00	2JSO080075F
	08,00*100,00	2JSO080100F
	09,00*100,00	2JSO090100F
	09,00*107,95	2JSO090107F
	09,53*101*60	2JSO095101F
	09,53*107,95	2JSO095107F
	09,53*127,00	2JSO095127F
	10,00*075,00	2JSO100075F
	10,00*100,00	2JSO100100F
	10,00*150,00	2JSO100150F
	11,11*127,00	2JSO111127F
	12,00*100,00	2JSO120100F
	12,00*127,00	2JSO120127F
	12,70*101,60	2JSO127101F
	12,70*127,00	2JSO127127F
	14,00*127,00	2JSO140127F
	14,00*150,00	2JSO140150F
	14,25*127,00	2JSO142127F

* dimensions in mm

* tolerances:

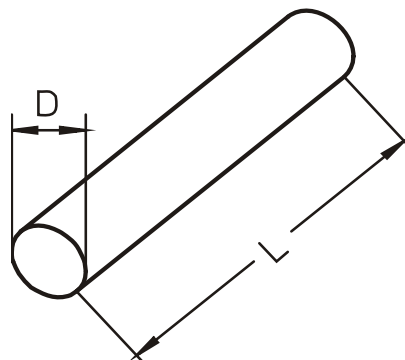
D: +0,01-0,04

L: +0,3/-0,3

Other tolerances on request

JONALLOY ROUND BARS, FINISH GROUND

- * Jonalloy staven geslepen
- * Jonalloy barreaux rectifiés
- * Jonalloy Stäben fertig geschliffen



D*L	REF
15,88*101,60	2JSO158101F
16,00*100,00	2JSO160100F
16,00*127,00	2JSO160127F
18,00*127,00	2JSO180127F
19,05*127,00	2JSO190127F
20,00*100,00	2JSO200100F
20,00*150,00	2JSO200150F
25,00*127,00	2JSO250127F

* dimensions in mm

* tolerances:

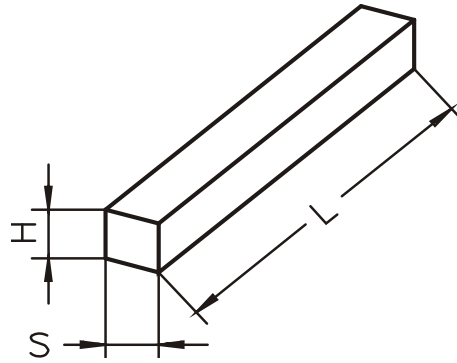
D: +0,01-0,04

L: +0,3/-0,3

Other tolerances on request

JONALLOY SQUARE BARS, FINISH GROUND

- * Jonalloy staven geslepen
- * Jonalloy barreaux rectifiés
- * Jonalloy Stäben fertig geschliffen



	L*H*S	REF
	101,60*04,76*04,76	2JSV047101F
	100,00*06,00*06,00	2JSV060100F
	150,00*06,00*06,00	2JSV060150F
	165,00*06,00*06,00	2JSV060165F
	101,60*06,35*06,35	2JSV063101F
	152,40*06,35*06,35	2JSV063152F
	101,60*07,94*07,94	2JSV079101F
	152,40*07,94*07,94	2JSV079152F
	150,00*08,00*08,00	2JSV080150F
	165,00*08,00*08,00	2JSV080165F
	100,00*09,00*09,00	2JSV090100F
	101,60*09,52*09,52	2JSV095101F
	152,40*09,52*09,52	2JSV095152F
	100,00*10,00*10,00	2JSV100100F
	150,00*10,00*10,00	2JSV100150F
	165,00*10,00*10,00	2JSV100165F
	100,00*12,00*12,00	2JSV120100F
	150,00*12,00*12,00	2JSV120150F
	165,00*12,00*12,00	2JSV120165F
	101,60*12,70*12,70	2JSV127101F
	152,40*12,70*12,70	2JSV127152F
	100,00*14,00*14,00	2JSV140100F
	150,00*14,00*14,00	2JSV140150F
	165,00*14,00*14,00	2JSV140165F
	152,40*15,88*15,88	2JSV158152F
	150,00*18,00*18,00	2JSV180150F
	101,60*19,05*19,05	2JSV190101F
	150,00*20,00*20,00	2JSV200150F
	165,00*20,00*20,00	2JSV200165F

* dimensions in mm

* tolerances:

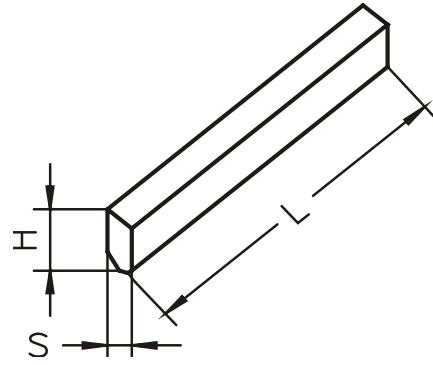
L: +0,3/-0,3

H: +0/-0,05

S: +0/-0,05

JONALLOY TRAPEZIUM BARS, FINISH GROUND

- * Jonalloy staven geslepen
- * Jonalloy barreaux rectifiés
- * Jonalloy Stäben fertig geschliffen

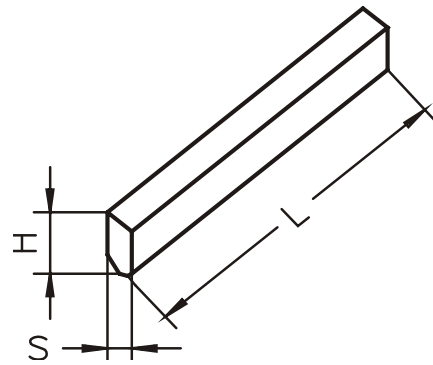


L*H*S	REF
150,00*20,00*8,00	2JST08020150F
165,00*20,00*8,00	2JST08020165F
150,00*25,00*8,00	2JST08025150F
165,00*25,00*8,00	2JST08025165F
150,00*32,00*8,00	2JST08032150F
165,00*32,00*8,00	2JST08032165F
150,00*36,00*8,00	2JST08036150F
165,00*36,00*8,00	2JST08036165F

* dimensions in mm
 * tolerances:
 L: +0,3/-0,3
 H: +0,03/-0,03
 S: +0/-0,05

JONALLOY TRAPEZIUM BARS, ROUGH GROUND

- * Jonalloy staven geschuurd
- * Jonalloy barreaux poncés
- * Jonalloy Stäben roh geschliffen



	L*H*S			REF
	165,00*25,00*6,00			2JST06025165R
	165,00*30,00*6,00			2JST06030165R
	165,00*35,00*6,00			2JST06035165R
	165,00*16,00*8,00			2JST08016165R
	165,00*20,00*8,00			2JST08020165R
	165,00*25,00*8,00			2JST08025165R
	165,00*30,00*8,00			2JST08030165R
	165,00*35,00*8,00			2JST08035165R
	165,00*40,00*8,00			2JST08040165R
	165,00*45,00*8,00			2JST08045165R
	165,00*20,00*9,00			2JST09020165R
	165,00*25,00*9,00			2JST09025165R
	165,00*32,00*9,00			2JST09032165R
	165,00*36,00*9,00			2JST09036165R

* dimensions in mm

* tolerances:

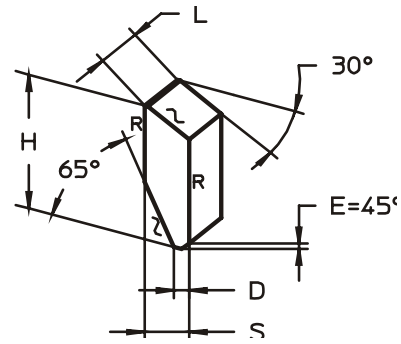
L: +0,3/-0,3

H: +0,03/-0,03

S: +0,1/-0,1

JONALLOY SAW TIPS

- * Jonalloy zaagtanden
- * Jonalloy dents de scies
- * Jonalloy Sägezähne



***LEGEND(E):**

- ~: cast
- ruw
- coulé
- roh gegossen
- R: rough ground
- geschuurd
- poncé
- roh geschliffen

* dimensions in mm

* tolerances:

L: +0,15/-0,05

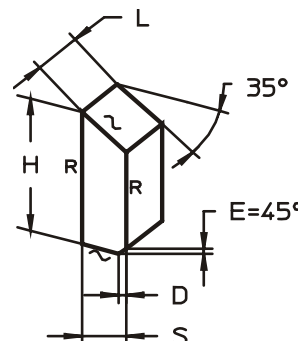
H: +0,1/-0,1

W: +0,2/-0

H*L*S	D	E	REF
10,50*002,50*3,00			2JZ6013010025
10,50*002,90*3,00			2JZ6013010029
10,50*003,00*3,00			2JZ6013010030
10,50*003,40*3,00			2JZ6013010034
10,50*003,80*3,00			2JZ6013010038
10,50*004,00*3,00			2JZ6013010043
10,50*004,70*3,00			2JZ6013010047
10,50*005,00*3,00			2JZ6013010050
10,50*005,10*3,00			2JZ6013010051
10,50*005,50*3,00			2JZ6013010055
10,50*005,80*3,00			2JZ6013010058
10,50*006,00*3,00			2JZ6013010060
10,50*006,50*3,00			2JZ6013010065
10,50*006,60*3,00			2JZ6013010066
10,50*010,50*3,00			2JZ6013010105
10,50*120,00*3,00			2JZ60130101VL
13,00*004,90*4,00			2JZ6014013049
13,00*005,00*4,00			2JZ6014013050
13,00*005,50*4,00			2JZ6014013055
13,00*005,80*4,00			2JZ6014013058
13,00*008,00*4,00			2JZ6014013080
13,00*008,50*4,00			2JZ6014013085
13,00*120,00*4,00			2JZ60140131VL

JONALLOY SAW TIPS

* Jonalloy zaagtanden
 * Jonalloy dents de scies
 * Jonalloy Sägezähne



***LEGEND(E):**

~: cast
 ruw
 coulé
 roh gegossen
 R: rough ground
 geschuurd
 poncé
 roh geschliffen

* dimensions in mm

* tolerances:

L: +0,15/-0,05

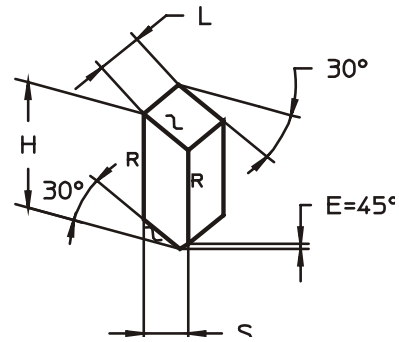
H: +0,1/-0,1

W: +0,2/-0

H*L*S	D	E	REF
11,0*004,80*4,00			2JZ6034011048
11,0*005,50*4,00			2JZ6034011055
11,0*120,00*4,00			2JZ6034011VL
12,0*004,70*4,00			2JZ6034012047
12,0*005,00*4,00			2JZ6034012050
12,0*005,50*4,00			2JZ6034012055
12,0*005,80*4,00			2JZ6034012058
12,0*006,00*4,00			2JZ6034012060
12,0*007,00*4,00			2JZ6034012070
12,0*007,80*4,00			2JZ6034012078
12,0*008,00*4,00			2JZ6034012080
12,0*080,80*4,00			2JZ6034012088
12,0*120,00*4,00			2JZ6034012VL
13,0*005,50*4,00			2JZ6034013055
13,0*007,94*4,00			2JZ6034013079
13,0*120,00*4,00			2JZ6034013VL

JONALLOY SAW TIPS

* Jonalloy zaagtanden
 * Jonalloy dents de scies
 * Jonalloy Sägezähne



*LEGEND(E):

~: cast
 ruw
 coulé
 roh gegossen
 R: rough ground
 geschuurd
 poncé
 roh geschliffen

* dimensions in mm

* tolerances:

L: +0,15/-0,05

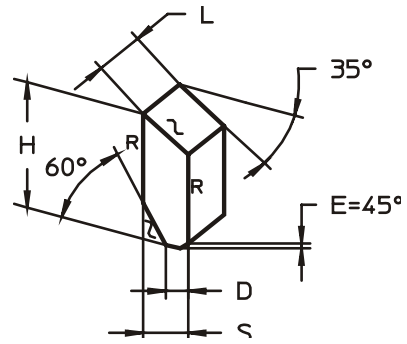
H: +0,1/-0,1

W: +0,2/-0

H*L*S	D	E	REF
09,0*005,50*3,50			2JZ6073509055
09,0*120,00*3,50			2JZ6073509VL
09,0*005,50*4,00			2JZ6074009055
09,0*120,00*4,00			2JZ6074009VL
10,0*006,50*4,00			2JZ6074010065
10,0*120,00*4,00			2JZ6074010VL
11,0*005,20*4,00			2JZ6074011052
11,0*120,00*4,00			2JZ6074011VL
12,0*005,50*4,00			2JZ6074012055
12,0*005,80*4,00			2JZ6074012058
12,0*006,50*4,00			2JZ6074012065
12,0*120,00*4,00			2JZ6074012VL

JONALLOY SAW TIPS

- * Jonalloy zaagtanden
- * Jonalloy dents de scies
- * Jonalloy Sägezähne



***LEGEND(E):**

- ~: cast
- ruw
- coulé
- roh gegossen
- R: rough ground
- geschuurd
- poncé
- roh geschliffen

* dimensions in mm

* tolerances:

L: +0,15/-0,05

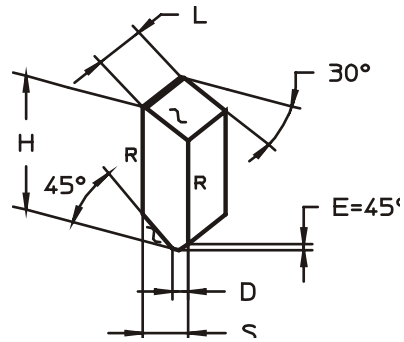
H: +0,1/-0,1

W: +0,2/-0

H*L*S	D	E	REF
11,0*005,50*4,00			2JZ6104011055
11,0*006,30*4,00			2JZ6104011063
11,0*120,00*4,00			2JZ6104011VL
12,0*120,00*4,00			2JZ6104012VL

JONALLOY SAW TIPS

* Jonalloy zaagtanden
 * Jonalloy dents de scies
 * Jonalloy Sägezähne



*LEGEND(E):

~: cast
 ruw
 coulé
 roh gegossen
 R: rough ground
 geschuurd
 poncé
 roh geschliffen

* dimensions in mm

* tolerances:

L: +0,15/-0,05

H: +0,1/-0,1

W: +0,2/-0

H*L*S	D	E	REF
-------	---	---	-----

13,0*005,10*4,00

2JZ6164013051

13,0*005,50*4,00

2JZ6164013055

13,0*005,80*4,00

2JZ6164013058

13,0*006,00*4,00

2JZ6164013060

13,0*007,80*4,00

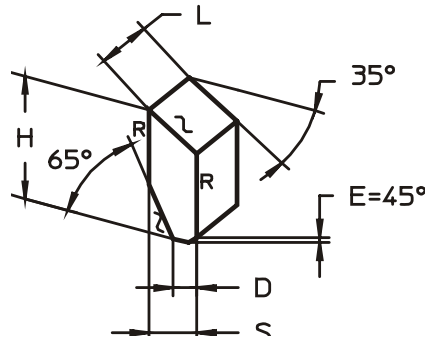
2JZ6164013078

13,0*120,00*4,00

2JZ6164013VL

JONALLOY SAW TIPS

- * Jonalloy zaagtanden
- * Jonalloy dents de scies
- * Jonalloy Sägezähne



***LEGEND(E):**

- ~: cast
- ruw
- coulé
- roh gegossen
- R: rough ground
- geschuurd
- poncé
- roh geschliffen

* dimensions in mm

* tolerances:

L: +0,15/-0,05

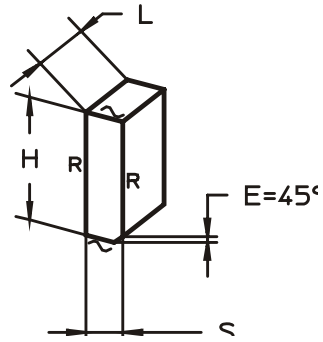
H: +0,1/-0,1

W: +0,2/-0

H*L*S	D	E	REF
11,0*004,80*4,00			2JZ6174011048
11,0*005,80*4,00			2JZ6174011058
11,0*120,00*4,00			2JZ6174011VL

JONALLOY SAW TIPS

* Jonalloy zaagtanden
 * Jonalloy dents de scies
 * Jonalloy Sägezähne



*LEGEND(E):

~: cast
 ruw
 coulé
 roh gegossen
 R: rough ground
 geschuurd
 poncé
 roh geschliffen

* dimensions in mm

* tolerances:

L: +0,15/-0,05

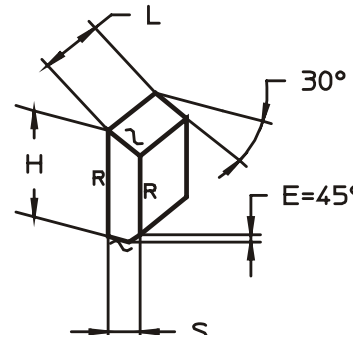
H: +0,1/-0,1

W: +0,2/-0

H*L*S	D	E	REF
11,0*004,70*3,00			2JZ6303011047
11,0*005,80*3,00			2JZ6303011058
11,0*120,00*3,00			2JZ6303011VL
12,0*120,00*4,00			2JZ6304012VL

JONALLOY SAW TIPS

* Jonalloy zaagtanden
 * Jonalloy dents de scies
 * Jonalloy Sägezähne



*LEGEND(E):

~: cast
 ruw
 coulé
 roh gegossen
 R: rough ground
 geschuurd
 poncé
 roh geschliffen

* dimensions in mm

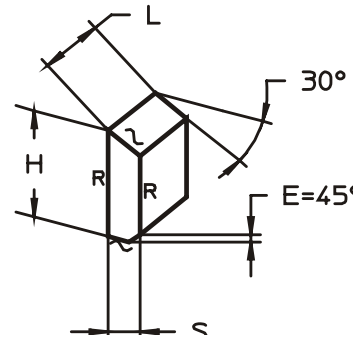
* tolerances:

L: +0,15/-0,05
 H: +0,1/-0,1
 W: +0,2/-0

H*L*S	D	E	REF
07,14*002,50*1,98			2JZ6311907025
07,14*003,80*1,98			2JZ6311907038
07,14*120,00*1,98			2JZ6311907VL
07,93*005,54*2,40			2JZ6322407025
07,93*003,05*2,40			2JZ6322407030
07,93*003,40*2,40			2JZ6322407034
07,93*004,70*2,40			2JZ6322407047
07,93*005,46*2,40			2JZ6322407054
07,93*007,11*2,40			2JZ6322407071
07,93*120,00*2,40			2JZ6322407VL
12,70*003,30*3,17			2JZ6353112033
12,70*003,81*3,17			2JZ6353112038
12,70*005,33*3,17			2JZ6353112053
12,70*005,80*3,17			2JZ6353112058
12,70*006,30*3,17			2JZ6353112063
12,70*006,60*3,17			2JZ6353112066
12,70*007,10*3,17			2JZ6353112071
12,70*007,87*3,17			2JZ6353112078
12,70*008,90*3,17			2JZ6353112089
12,70*010,16*3,17			2JZ6353112101
12,70*120,00*3,17			2JZ6353112VL
09,52*002,54*3,17			2JZ6363109025
09,52*003,17*3,17			2JZ6363109031
09,52*003,30*3,17			2JZ6363109033
09,52*003,55*3,17			2JZ6363109035
09,52*004,06*3,17			2JZ6363109040
09,52*004,30*3,17			2JZ6363109043
09,52*004,45*3,17			2JZ6363109044
09,52*004,70*3,17			2JZ6363109047
09,52*005,08*3,17			2JZ6363109050
09,52*005,40*3,17			2JZ6363109054
09,52*006,35*3,17			2JZ6363109063
09,52*007,11*3,17			2JZ6393109071
09,52*007,12*3,17			2JZ6363109071

JONALLOY SAW TIPS

- * Jonalloy zaagtanden
- * Jonalloy dents de scies
- * Jonalloy Sägezähne



***LEGEND(E):**

- ~: cast
- ruw
- coulé
- roh gegossen
- R: rough ground
- geschuurd
- poncé
- roh geschliffen

* dimensions in mm

* tolerances:

L: +0,15/-0,05

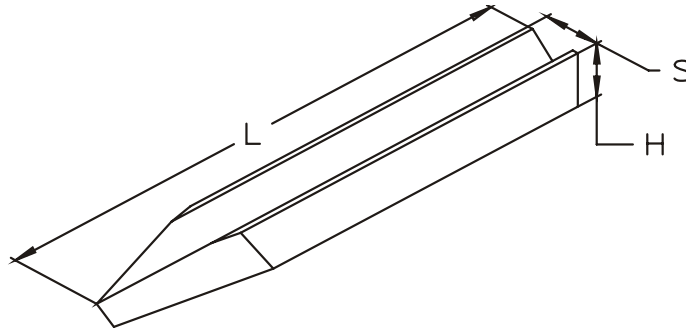
H: +0,1/-0,1

W: +0,2/-0

H*L*S	D	E	REF
09,52*007,62*3,17			2JZ6363109076
09,52*007,92*3,17			2JZ6393109079
09,52*009,52*3,17			2JZ6363109095
09,52*010,16*3,17			2JZ6393109101
09,52*013,70*3,17			2JZ6393109137
09,52*016,89*3,17			2JZ6393109168
09,52*020,06*3,17			2JZ6393109200
09,52*026,40*3,17			2JZ6393109264
09,52*032,76*3,17			2JZ6393109327
09,52*039,10*3,17			2JZ6393109391
09,52*045,46*3,17			2JZ6393109454
09,52*051,81*3,17			2JZ6393109518
09,52*120,00*3,17			2JZ6393109VL
09,52*120,00*3,17			2JZ6363109VL
09,52*007,10*2,40			2JZ6382409071
09,52*007,90*2,40			2JZ6382409079
09,52*010,10*2,40			2JZ6382409101
09,52*013,70*2,40			2JZ6382409137
09,52*020,00*2,40			2JZ6382409200
09,52*026,40*2,40			2JZ6382409264
09,52*032,70*2,40			2JZ6382409327
09,52*039,10*2,40			2JZ6382409391
09,52*045,40*2,40			2JZ6382409454
09,52*051,80*2,40			2JZ6382409518
09,52*120,00*2,40			2JZ6382409VL

JONALLOY POINTED CUTTER

- * Jonalloy puntbeitel
- * Jonalloy outil pour tour à copier
- * Jonalloy Kopierspitzstahl



***FINISH:**

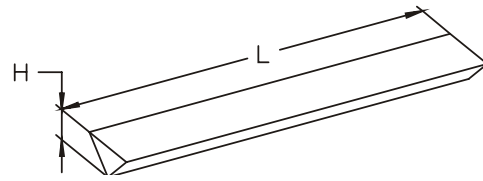
- C: - 4 sides finish ground, top cast,
 V rough ground
 - 4 zijden geslepen, top ruw,
 V geschuurd
 - 4 faces rectifiés, pointe coulée,
 V poncée
 - 4 Seiten geschliffen, Spitze roh,
 V roh geschliffen

- A: - completely finish ground
 - volledig geslepen
 - complètement rectifié
 - völlig geschliffen

L*H*S	FINISH	REF
180*18,5*18,5	"C"	2JE1818FAF
	"A"	2JE1818FFP
180*20*20	"C"	2JE2020FAF
	"A"	2JE2020FFP

CLAMPING PIECE FOR POINTED CUTTER

- * klemstuk voor puntbeitel
- * coin de serrage pour outil à copier
- * Spannstück für Kopierspitzstahl



L*H

90*8

REF

2JB000000